

RT37/RT44 (A698/B587)

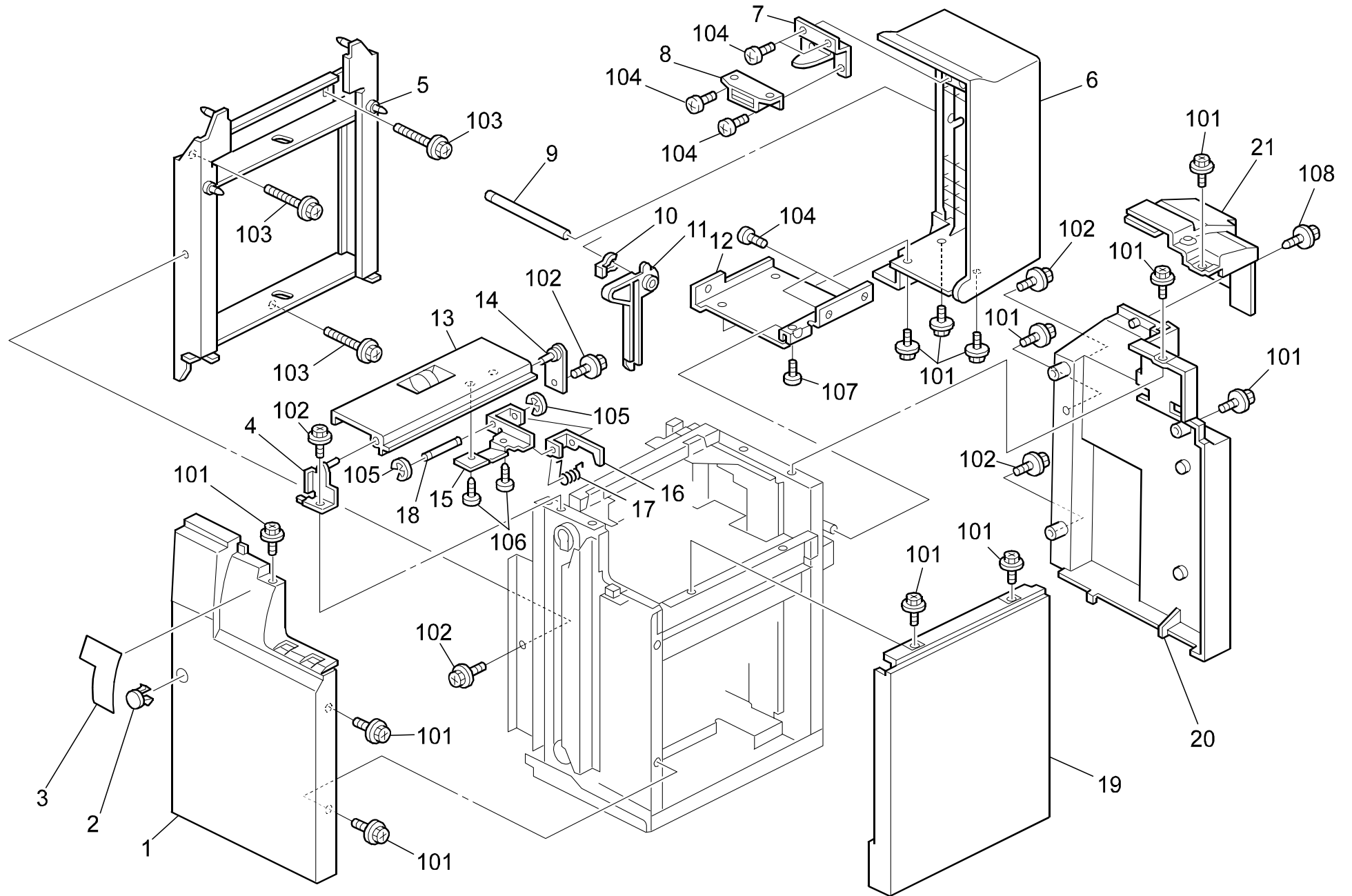
RT37/RT44 (A698/B587)

PARTS CATALOG

This catalog gives the numbers and names of parts on this machine.

1.Exterior (A698/B587).....	2
2.Tray Drive Section (A698/B587)	4
3.Paper Feed Section 1 (A698/B587)	6
4.Paper Feed Section 2 (A698/B587)	8
5.Electrical Section (A698/B587)	10
6.Frame Section (A698/B587).....	12
7.Decal And Document (A698/B587).....	14
Parts Index	1

1.Exterior (A698/B587)

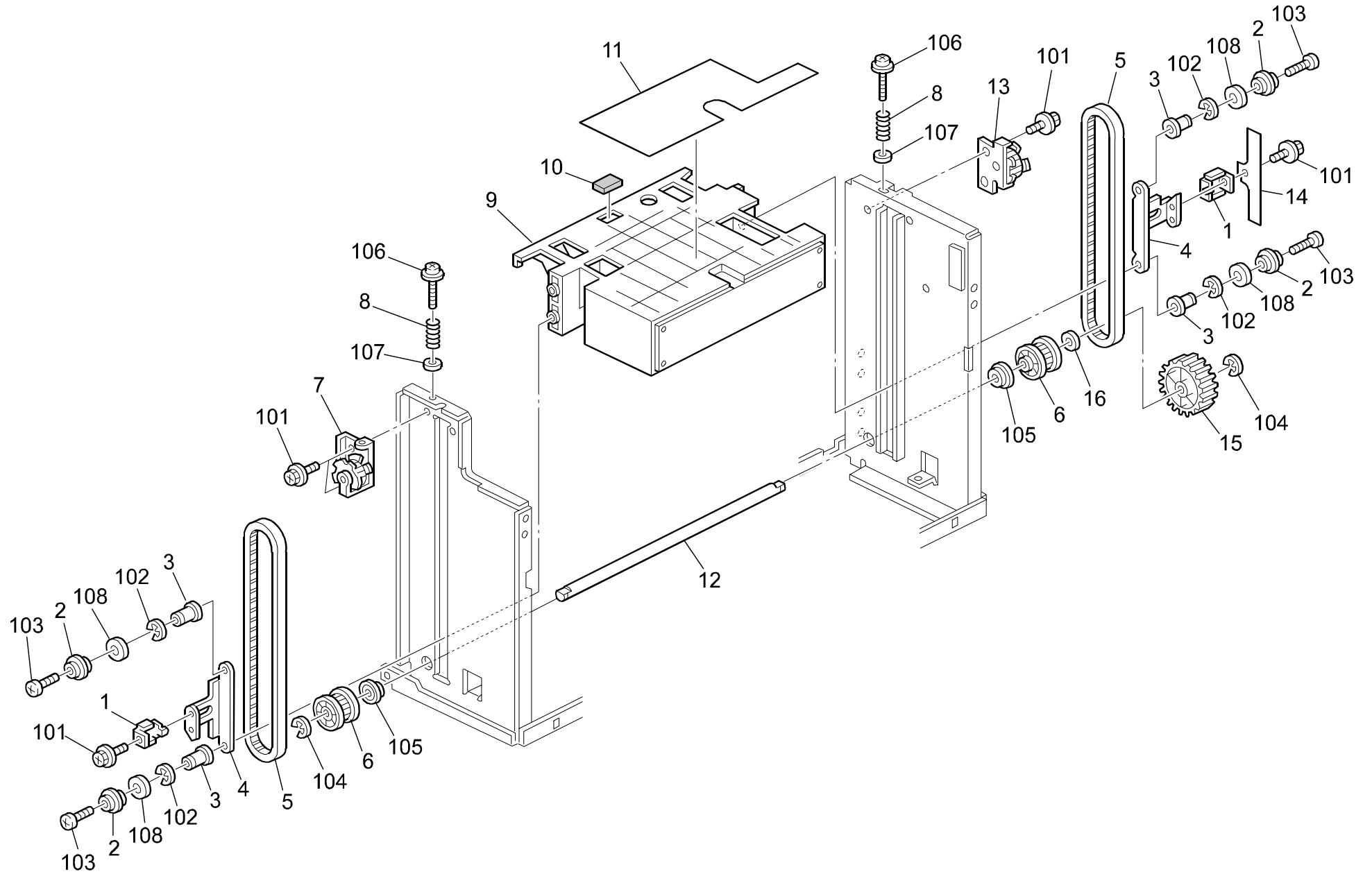


1.Exterior (A698/B587)

Index No.	Part No.	Description	Q'ty Per Assembly
1	A698 1151	Front Cover (A698)	1
1	B587 1151	Front Cover (B587)	1
2	A247 1318	Cap - 17 (A698)	1
2	B098 1318	Cap - 17 (B587)	1
3	A698 1181	Decal - Paper Set (A698)	1
3	B587 1181	Decal - Paper Set (B587)	1
4	A380 1211	Front Hinge	1
5	A380 1020	LCT Stay (LT)	1
5	A698 1020	Holder - Ass'y (A4)	1
6	A698 1221	Upper Cover (A698)	1
6	B587 1221	Upper Cover (B587)	1
7	A698 1232	Door Catch	1
8	AG07 0004	Magnetic Catch	2
9	A698 1233	End Fence Shaft	1
10	5447 2681	Snap Ring	3
11	A698 1234	End Fence	1
12	A380 1231	Hinge Stay	1
13	A698 1201	Cover - Misfeed Removal (A698)	1
13	B587 1201	Cover - Misfeed Removal (B587)	1
14	A698 1215	Rear Hinge	1
15	A609 1298	Paper Sensor Holder	1
16	A380 1293	Actuator	1
17	A380 1299	Pressure Spring	1
18	A380 1292	Actuator Shaft	1
19	A698 1251	Right Cover (A698)	1
19	B587 1251	Right Cover (B587)	1
20	A698 1161	Rear Lower Cover (A698)	1
20	B587 1161	Rear Lower Cover (B587)	1
21	A698 1171	Rear Upper Cover (A698)	1
21	B587 1171	Rear Upper Cover (B587)	1

Index No.	Part No.	Description	Q'ty Per Assembly
101	0451 4008H	Tapping Screw - 4x8	
102	0451 4008B	Philips Tapping Screw - M4x8	
103	0951 4016B	Philips Screw With Flat Washer - M4x16	
104	0452 4008B	Tapping Screw - M4x8	
105	0720 0020E	Retaining Ring - M2	
106	0452 4012B	Tapping Bind Screw - M4x12	
107	0314 0120B	Philips Pan Head Screw - M4x12	
108	0450 4012Z	Tapping Screw - M4x12	

2.Tray Drive Section (A698/B587)

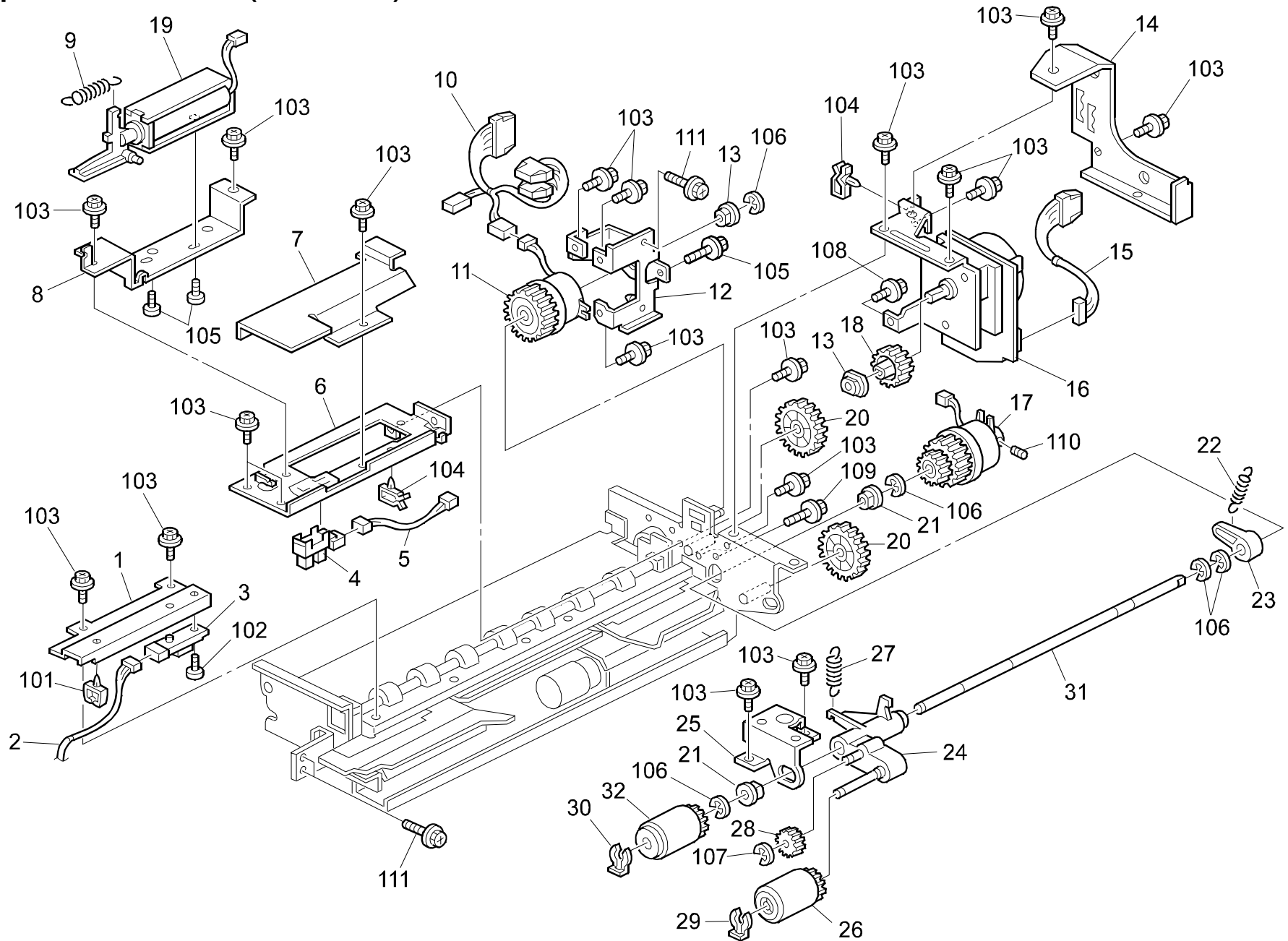


2.Tray Drive Section (A698/B587)

Index No.	Part No.	Description	Q'ty Per Assembly
1	A380 1810	Timing Belt Clamp	2
2	A380 1754	Ball Bearing Guide	4
3	A380 1752	Roller Shaft	4
4	A698 1753	Timing Belt Bracket	2
5	A380 1801	Timing Belt - S5M T210	2
6	A380 1803	Timing Pulley - S5M 22Z	2
7	A380 1820	Front Idler Bracket	1
8	AA06 3038	Pressure Spring	2
9	A380 1785	LCT Tray	1
10	A421 2543	Friction Pad	1
11	A380 1141	Decal - Paper Size	1
12	A380 1805	Tray Lift Shaft	1
13	A380 1825	Rear Idler Bracket	1
14	A698 1811	Shielding Plate	1
15	A380 1806	Dreive Gear - 42Z	1
16	A042 2568	Spacer - 8.1x10x3.7	1

Index No.	Part No.	Description	Q'ty Per Assembly
101	0451 4008B	Philips Tapping Screw - M4x8	
102	0720 0060B	Retaining Ring - M6	
103	0314 0200B	Philips Pan Head Screw - M4x20	
104	0720 0050B	Retaining Ring - M5	
105	0742 3808	Ball Bearing - 8x16x5	
106	0957 4030B	Screw - M4X3	
107	0708 0040B	Washer - M4	
108	0805 3270	Ball Bearing - 8x16x5mm	

3.Paper Feed Section 1 (A698/B587)

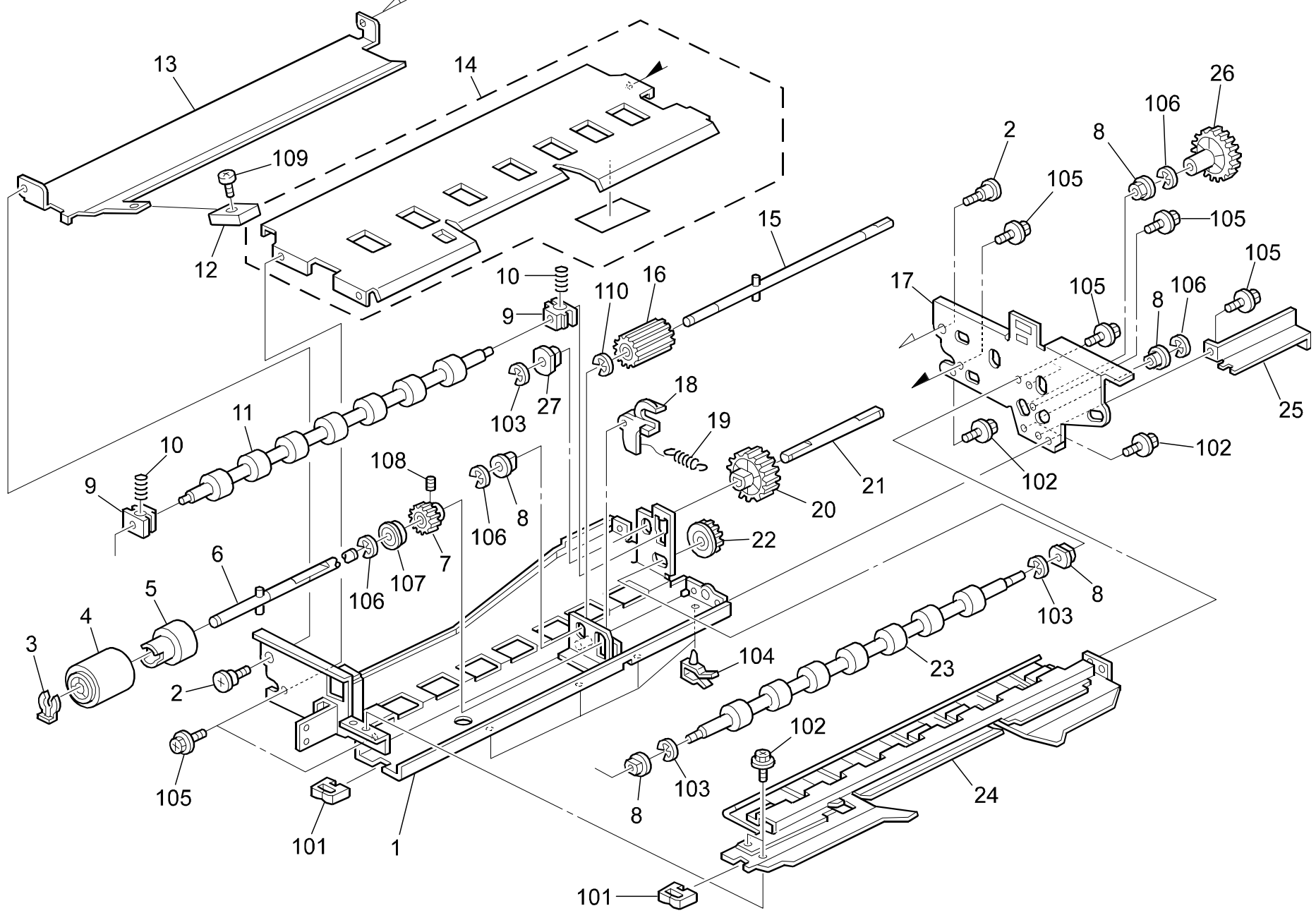


3.Paper Feed Section 1 (A698/B587)

Index No.	Part No.	Description	Q'ty Per Assembly
1	A698 2331	Paper Feed Sensor Bracket	1
2	A698 5340	Paper Feed Sensor Harness	1
3	AW01 0048	Photo Sensor - Gp2a28n1	1
4	AW02 0056	Photointerruptor - EE-SX4235A-P1	5
5	A698 5330	Upper Sensor Harness	1
6	A698 2271	Upper Stay	1
7	A380 2431	Solenoid Cover	1
8	A698 2281	Solenoid Bracket	1
9	A380 2460	Pick-up Release Spring	1
10	A698 5320	Paper Feed Unit Harness	1
11	AX20 0149	Magnetic Clutch	1
12	A698 2485	Magnetic Clutch Bracket	1
13	AA08 2078	Bushing - 8mm	2
14	A698 2421	Harness Clamp Bracket	1
15	A698 5350	Motor Harness	1
16	AX06 0203	Main Motor Ass'y	1
17	AX21 0037	Magnetic Clutch	1
18	AB01 4072	Gear - 22Z	1
19	A380 2280	Pick-up Solenoid	1
20	A380 2390	Idler Gear - 33Z	2
21	AA08 2047	Bushing - 8x16x7	2
22	A380 2494	Pressure Spring	1
23	A096 6353	Feed Roller Lever	1
24	A380 2211	Pick-up Arm	1
25	A698 2353	Feed Roller Bracket	1
26	AF03 0041	Pick-up Roller (A698)	1
26	AF03 0050	Pick-up Roller (B587)	1
27	AA06 0747	Pressure Spring	1
28	5447 2706	Gear - 15T	1
29	5447 2681	Snap Ring	1
30	5215 2621	Snap Ring - M6	2
31	AA14 0678	Feed Roller Shaft	1
32	AF03 1041	Paper Feed Roller (A698)	1
32	AF03 1064	Paper Feed Roller (B587)	1

Index No.	Part No.	Description	Q'ty Per Assembly
101	1105 0199	Clamp	
102	0453 3006B	Tapping Screw - M3x6	
103	0451 4006B	Tapping Screw - 4x6	
104	1105 0200	Clamp	
105	0451 3010B	Tapping Screw - M3x10	
106	0720 0060B	Retaining Ring - M6	
107	0720 0040B	Retaining Ring - M4	
108	0451 3006B	Tapping Screw - M3x6	
109	0451 4016B	Tapping Screw - M4-16	
110	0573 0040E	Hexagon Headless Set Screw - M3x4	
111	0451 4008B	Philips Tapping Screw - M4x8	

4.Paper Feed Section 2 (A698/B587)

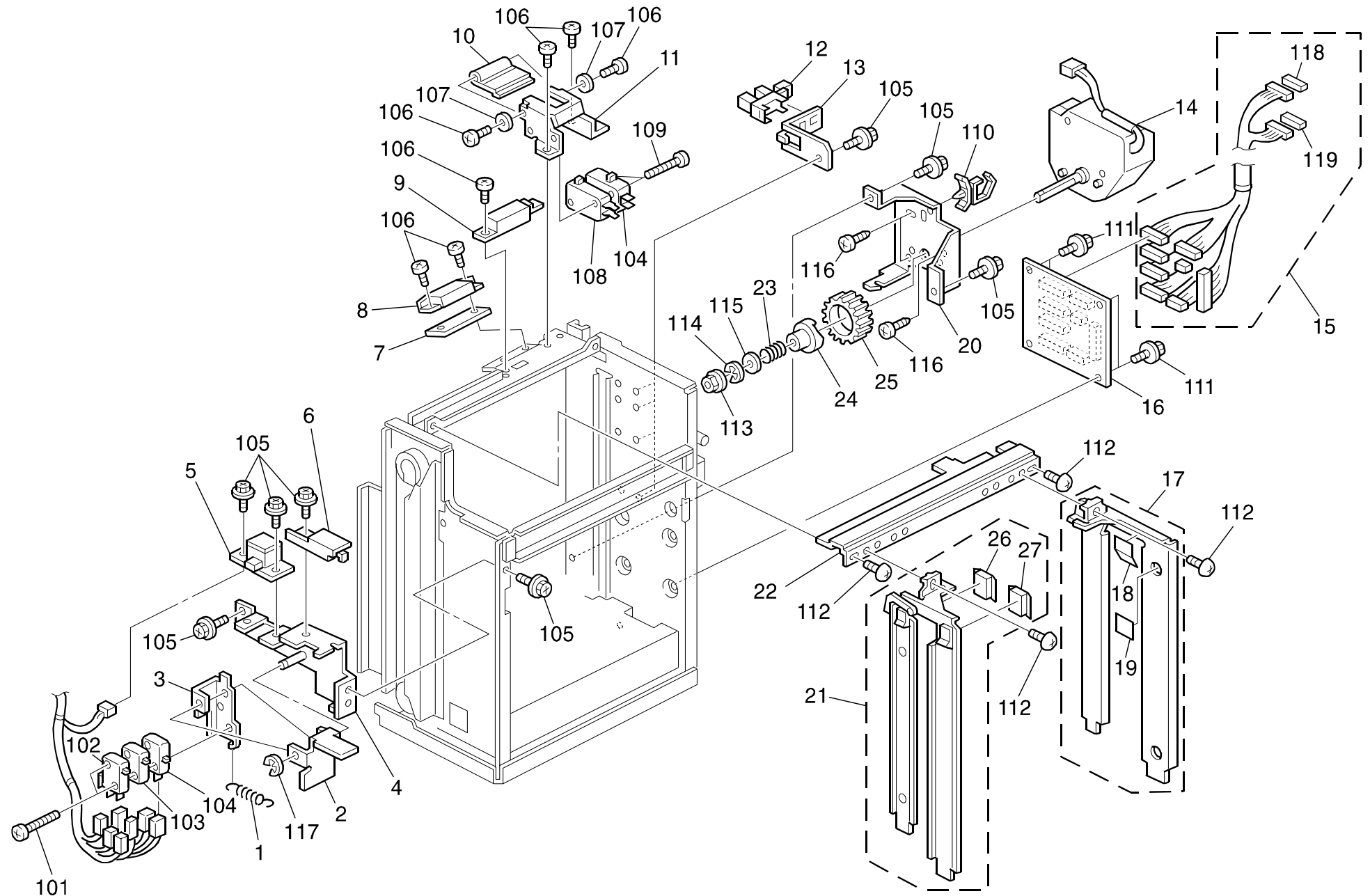


4.Paper Feed Section 2 (A698/B587)

Index No.	Part No.	Description	Q'ty Per Assembly
1	A698 2111	Base Plate	1
2	AA14 3440	Stepped Screw - M4	2
3	5447 2681	Snap Ring	1
4	AF03 2041	Separation Roller (A698)	1
4	AF03 2050	Separation Roller (B587)	1
5	A247 2900	Separation Torque Limiter	1
6	A698 2342	Reverse Driven Shaft	1
7	AB01 1391	Driven Reverse Gear	1
8	AA08 2046	Bushing - 6x12x6 (A698)	5
8	AA08 2118	Bushing - M6 (B587)	5
9	AA08 0300	Bushing - 6mm	2
10	AA06 3574	Pressure Spring	2
11	AF02 0438	Transport Driven Roller	1
12	A353 2243	Lever Knob	1
13	A698 2311	Release Guide Plate	1
14	A698 2360	Lower Guide Plate	1
15	A698 2251	Reverse Drive Shaft	1
16	AB01 1392	Drive Reverse Gear	1
17	A698 2151	Rear Side Plate	1
18	A683 2666	Pressure Lever	1
19	AA06 0636	Pressure Spring	1
20	AB01 4074	Gear - 33Z	1
21	AA14 5812	Clutch Shaft	1
22	AB01 4073	Gear - 22Z	1
23	AF02 0437	Transport Drive Roller	1
24	A698 2351	Entrance Upper Guide Plate	1
25	A822 2441	Stud - Harness Bracket	1
26	A380 2053	Reverse Gear - 30Z	1
27	AA08 2078	Bushing - 8mm	1

Index No.	Part No.	Description	Q'ty Per Assembly
101	1105 0328	Harness Clamp - ES-0505	
102	0451 4008B	Philips Tapping Screw - M4x8	
103	0720 0060B	Retaining Ring - M6	
104	1105 0200	Clamp	
105	0451 4006B	Tapping Screw - 4x6	
106	0720 0040B	Retaining Ring - M4	
107	0805 3145	Ball Bearing - 6x12x4mm	
108	0573 0030E	Hexagon Headless Set Screw - M3x3	
109	0313 0040B	Philips Pan Head Screw - M3x4	
110	0720 0050B	Retaining Ring - M5	

5. Electrical Section (A698/B587)

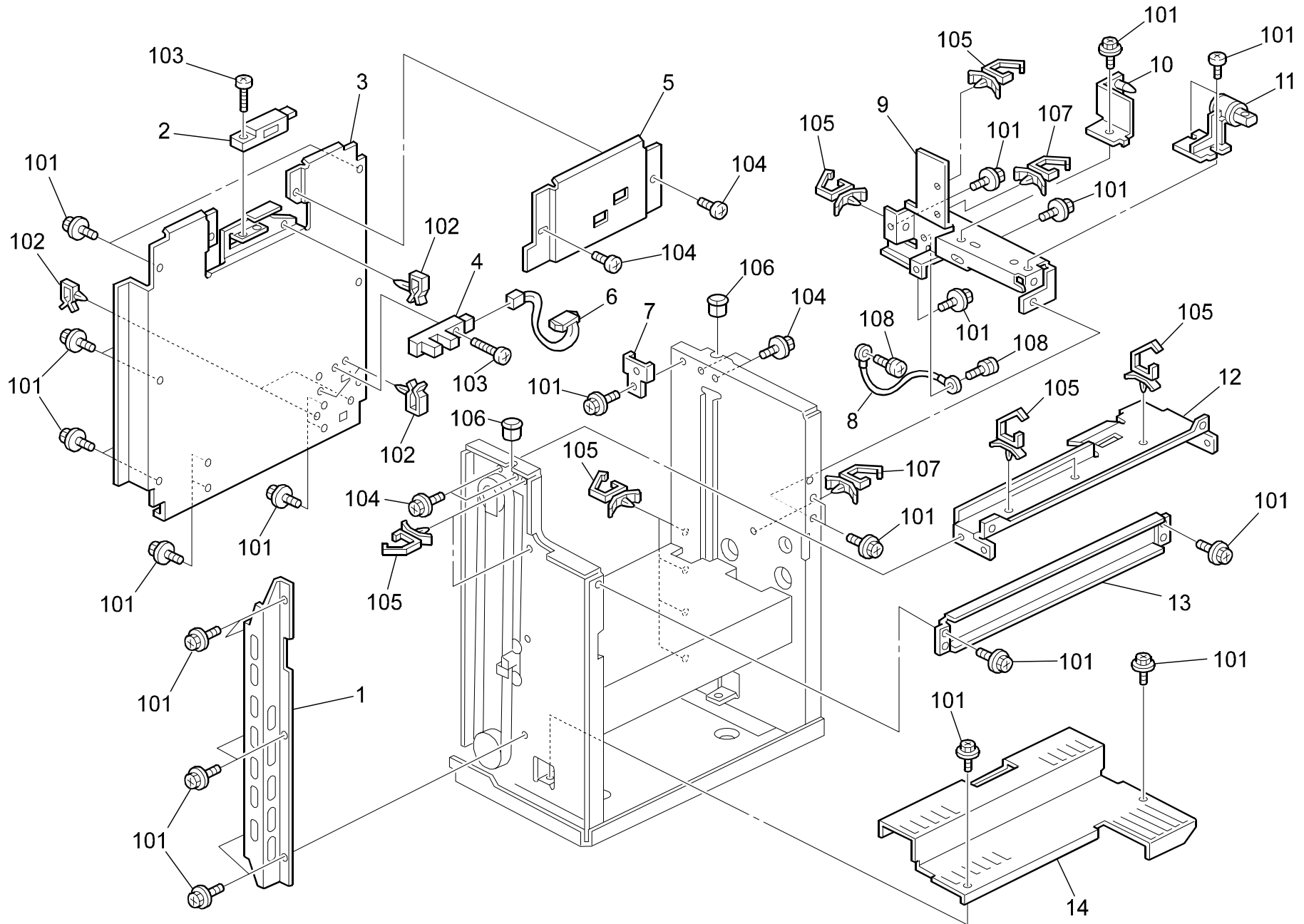


5. Electrical Section (A698/B587)

Index No.	Part No.	Description	Q'ty Per Assembly
1	A380 2490	Reverse Roller Pressure Spring	1
2	A380 1262	Door Switch Holder	1
3	A380 1261	Operation Key Bracket	1
4	A380 1263	Door Switch Bracket	1
5	A355 5320	Push Switch	1
6	A380 1267	Magnetic Holder	1
7	A609 1357	Spacer	1
8	AG07 0004	Magnetic Catch	1
9	AW01 0064	Optical Sensor Ass'y	1
10	A609 1359	Micro Switch Plate	1
11	A698 1357	Bracket:Safety Switch	1
12	AW02 0056	Photointerruptor - EE-SX4235A-P1	4
13	A698 1375	Volume Sensor Bracket	4
14	AX04 0091	DC Motor - 21.6W	1
15	A698 5310	LCT Main Harness	1
16	A698 5110	LCT Main Board	1
17	A609 1852	Rear Side Frnce (LT)	1
17	A698 1852	Side Fence - Rear (A4)	1
18	A380 1935	Rear Guide Sheet	1
19	AA00 2010	Decal - Paper Level	1
20	A698 1601	Motor Bracket	1
21	A609 1851	Front Side Fence (LT)	1
21	A698 1851	Side Fence - Front (A4)	1
22	A380 1941	Side Fence Adjuster - Upper (LT)	1
22	A698 1941	Positioning Plate - Side Fence (A4)	1
23	A380 1436	Pressure Spring	1
24	A609 1602	Joint - Drive	1
25	A609 1603	Drive Gear	1
26	A609 1915	Paper Holder	1
27	A609 1916	Side Fence Pad	1

Index No.	Part No.	Description	Q'ty Per Assembly
101	0313 0350B	Philips Pan Head Screw - M3x35	
102	1204 0192	Microswitch - UL	
103	1204 1148	Microswitch	
104	1204 2136	Micro Switch	
105	0451 4008B	Philips Tapping Screw - M4x8	
106	0453 3008B	Bind Tapping Screw - M3x8	
107	0708 0030B	Washer - M3	
108	1204 0704	Micro Switch - D2RV-G	
109	0313 0250B	Philips Pan Head Screw - M3x25	
110	1105 0310	Harness Clamp - LWS-1S	
111	0451 4006B	Tapping Screw - 4x6	
112	0344 0050F	Philips Truss Head Screw - M4x5	
113	0805 3389	Bushing - 8x10x6mm	
114	0720 0050B	Retaining Ring - M5	
115	0807 5056	Washer - 8.1mm	
116	0452 4010B	Tapping Bind Screw - M4x10	
117	0720 0040B	Retaining Ring - M4	
118	1102 6257	Relay Connector - 14P	
119	1102 6258	Relay Connector - 15P	

6.Frame Section (A698/B587)



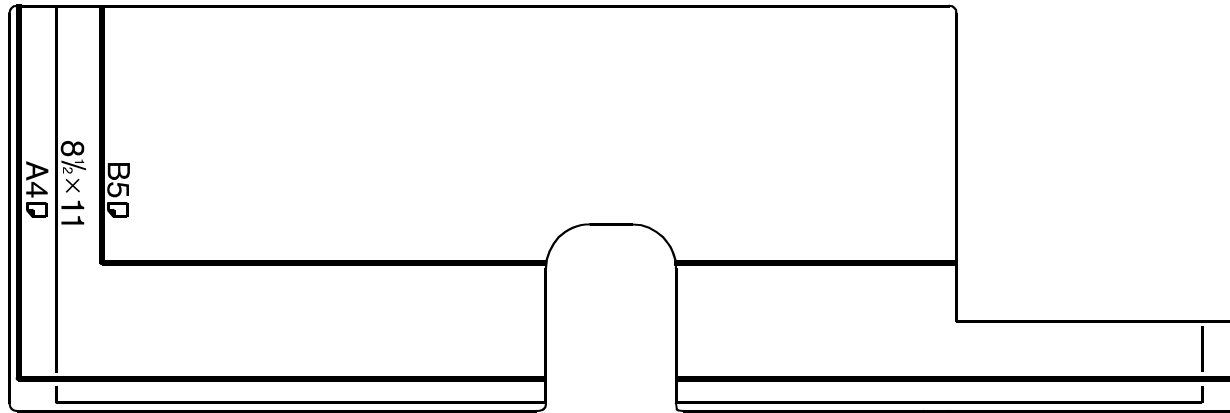
6.Frame Section (A698/B587)

Index No.	Part No.	Description	Q'ty Per Assembly
1	A380 1381	Front Support Plate	1
2	AW01 0027	Photosensor - ON2530 CT	1
3	A380 1352	Left Bracket (LT)	1
3	A698 1352	Left Bracket (A4)	1
4	AW02 0012	Photointerruptor	1
5	A380 1354	Registration Roller Cover	1
6	A380 5605	Relay Harness - Paper Tray	1
7	A380 1213	Rear Bracket - Misfeed	1
8	A698 5360	Grounding Harness	1
9	A698 1271	Hinge Bracket - Large	1
10	A380 1272	Hinge Bracket	1
11	A380 1281	Hinge Rubber Cover	1
12	A609 1355	Upper Stay	1
13	A380 1356	Right Stay	1
14	A380 1942	Side Fence Adjuster - Lower	1

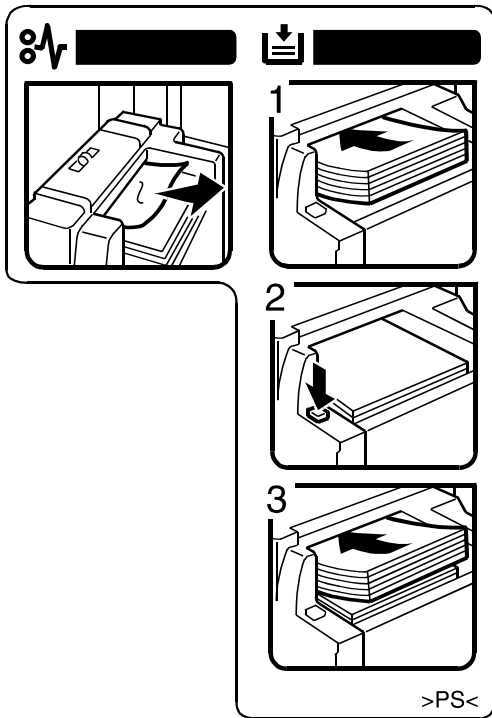
Index No.	Part No.	Description	Q'ty Per Assembly
101	0451 4008B	Philips Tapping Screw - M4x8	
102	1105 0200	Clamp	
103	0453 3010B	Binding Screw	
104	0453 4008B	Tapping Bind Screw - M4x8	
105	1105 0310	Harness Clamp - LWS-1S	
106	1106 0241	Bushing - 6.7mm	
107	1105 0292	Wire Saddle	
108	0950 4006B	Screw - M4X6	

7. Decal And Document (A698/B587)

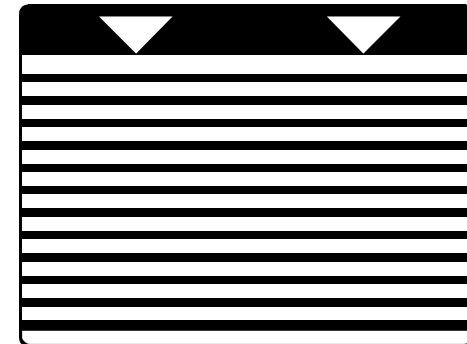
1



2



3



7.Decal And Document (A698/B587)

Index No.	Part No.	Description	Q'ty Per Assembly
1	A380 1141	Decal - Paper Size	1
2	A698 1181	Decal - Paper Set	1
3	AA00 2010	Decal - Paper Level	1

Index No.	Part No.	Description	Q'ty Per Assembly
-----------	----------	-------------	-------------------

Parts Index

PM Parts Index

Section Name	Part No.	Description in Service Manual	Description in Parts Catalog	Q'ty Per Assembly	Page and Index No.
Paper Feed Section 1 (A698/B587)	AF03 0021	Pick-up Roller	Pick-up Roller (A698)	1	7- 26
	AF03 0050	Pick-up Roller	Pick-up Roller (B587)	1	7- 26
	AF03 1021	Paper Feed Roller	Paper Feed Roller (a698)	1	7- 32
	AF03 1064	Paper Feed Roller	Paper Feed Roller (B587)	1	7- 32
Paper Feed Section 2 (A698/B587)	AF03 2021	Separation Roller	Separation Roller (A698)	1	9- 4
	AF03 2050	Separation Roller	Separation Roller (B587)	1	9- 4

Parts Index

Part No.	Description	Page and Index No.
A698 1020	Holder - Ass'y (A4)	3 - 5
A698 1151	Front Cover (A698)	3 - 1
A698 1161	Rear Lower Cover (A698)	3 - 20
A698 1171	Rear Upper Cover (A698)	3 - 21
A698 1181	Decal - Paper Set	15 - 2
A698 1181	Decal - Paper Set (A698)	3 - 3
A698 1201	Cover - Misfeed Removal (A698)	3 - 13
A698 1215	Rear Hinge	3 - 14
A698 1221	Upper Cover (A698)	3 - 6
A698 1232	Door Catch	3 - 7
A698 1233	End Fence Shaft	3 - 9
A698 1234	End Fence	3 - 11
A698 1251	Right Cover (A698)	3 - 19
A698 1271	Hinge Bracket - Large	13 - 9
A698 1352	Left Bracket (A4)	13 - 3
A698 1357	Bracket:Safety Switch	11 - 11
A698 1375	Volume Sensor Bracket	11 - 13
A698 1601	Motor Bracket	11 - 20
A698 1753	Timing Belt Bracket	5 - 4
A698 1811	Shielding Plate	5 - 14
A698 1851	Side Fence - Front (A4)	11 - 21
A698 1852	Side Fence - Rear (A4)	11 - 17
A698 1941	Positioning Plate - Side Fence (A4)	11 - 22
A698 2111	Base Plate	9 - 1
A698 2151	Rear Side Plate	9 - 17
A698 2251	Reverse Drive Shaft	9 - 15
A698 2271	Upper Stay	7 - 6
A698 2281	Solenoid Bracket	7 - 8
A698 2311	Release Guide Plate	9 - 13
A698 2331	Paper Feed Sensor Bracket	7 - 1
A698 2342	Reverse Driven Shaft	9 - 6
A698 2351	Entrance Upper Guide Plate	9 - 24
A698 2353	Feed Roller Bracket	7 - 25
A698 2360	Lower Guide Plate	9 - 14
A698 2421	Harness Clamp Bracket	7 - 14

Part No.	Description	Page and Index No.
A698 2485	Magnetic Clutch Bracket	7 - 12
A698 5110	LCT Main Board	11 - 16
A698 5310	LCT Main Harness	11 - 15
A698 5320	Paper Feed Unit Harness	7 - 10
A698 5330	Upper Sensor Harness	7 - 5
A698 5340	Paper Feed Sensor Harness	7 - 2
A698 5350	Motor Harness	7 - 15
A698 5360	Grounding Harness	13 - 8

Part No.	Description	Page and Index No.
A042 2568	Spacer - 8.1x10x3.7	5 - 16
A096 6353	Feed Roller Lever	7 - 23
A247 1318	Cap - 17 (A698)	3 - 2
A247 2900	Separation Torque Limiter	9 - 5
A353 2243	Lever Knob	9 - 12
A355 5320	Push Switch	11 - 5
A380 1020	LCT Stay (LT)	3 - 5
A380 1141	Decal - Paper Size	5 - 11
A380 1141	Decal - Paper Size	15 - 1
A380 1211	Front Hinge	3 - 4
A380 1213	Rear Bracket - Misfeed	13 - 7
A380 1231	Hinge Stay	3 - 12
A380 1261	Operation Key Bracket	11 - 3
A380 1262	Door Switch Holder	11 - 2
A380 1263	Door Switch Bracket	11 - 4
A380 1267	Magnetic Holder	11 - 6
A380 1272	Hinge Bracket	13 - 10
A380 1281	Hinge Rubber Cover	13 - 11
A380 1292	Actuator Shaft	3 - 18
A380 1293	Actuator	3 - 16
A380 1299	Pressure Spring	3 - 17
A380 1352	Left Bracket (LT)	13 - 3
A380 1354	Registration Roller Cover	13 - 5
A380 1356	Right Stay	13 - 13
A380 1381	Front Support Plate	13 - 1
A380 1436	Pressure Spring	11 - 23
A380 1752	Roller Shaft	5 - 3
A380 1754	Ball Bearing Guide	5 - 2
A380 1785	LCT Tray	5 - 9
A380 1801	Timing Belt - S5M T210	5 - 5
A380 1803	Timing Pulley - S5M 22Z	5 - 6
A380 1805	Tray Lift Shaft	5 - 12
A380 1806	Drive Gear - 42Z	5 - 15
A380 1810	Timing Belt Clamp	5 - 1
A380 1820	Front Idler Bracket	5 - 7

Part No.	Description	Page and Index No.
A380 1825	Rear Idler Bracket	5 - 13
A380 1935	Rear Guide Sheet	11 - 18
A380 1941	Side Fence Adjuster - Upper (LT)	11 - 22
A380 1942	Side Fence Adjuster - Lower	13 - 14
A380 2053	Reverse Gear - 30Z	9 - 26
A380 2211	Pick-up Arm	7 - 24
A380 2280	Pick-up Solenoid	7 - 19
A380 2390	Idler Gear - 33Z	7 - 20
A380 2431	Solenoid Cover	7 - 7
A380 2460	Pick-up Release Spring	7 - 9
A380 2490	Reverse Roller Pressure Spring	11 - 1
A380 2494	Pressure Spring	7 - 22
A380 5605	Relay Harness - Paper Tray	13 - 6
A421 2543	Friction Pad	5 - 10
A609 1298	Paper Sensor Holder	3 - 15
A609 1355	Upper Stay	13 - 12
A609 1357	Spacer	11 - 7
A609 1359	Micro Switch Plate	11 - 10
A609 1602	Joint - Drive	11 - 24
A609 1603	Drive Gear	11 - 25
A609 1851	Front Side Fence (LT)	11 - 21
A609 1852	Rear Side Fence (LT)	11 - 17
A609 1915	Paper Holder	11 - 26
A609 1916	Side Fence Pad	11 - 27
A683 2666	Pressure Lever	9 - 18
A822 2441	Stud - Harness Bracket	9 - 25
B098 1318	Cap - 17 (B587)	3 - 2
B587 1151	Front Cover (B587)	3 - 1
B587 1161	Rear Lower Cover (B587)	3 - 20
B587 1171	Rear Upper Cover (B587)	3 - 21
B587 1181	Decal - Paper Set (B587)	3 - 3
B587 1201	Cover - Misfeed Removal (B587)	3 - 13
B587 1221	Upper Cover (B587)	3 - 6
B587 1251	Right Cover (B587)	3 - 19
AA00 2010	Decal - Paper Level	11 - 19

Part No.	Description	Page and Index No.
AA00 2010	Decal - Paper Level	15 - 3
AA06 0636	Pressure Spring	9 - 19
AA06 0747	Pressure Spring	7 - 27
AA06 3038	Pressure Spring	5 - 8
AA06 3574	Pressure Spring	9 - 10
AA08 0300	Bushing - 6mm	9 - 9
AA08 2046	Bushing - 6x12x6 (A698)	9 - 8
AA08 2047	Bushing - 8x16x7	7 - 21
AA08 2078	Bushing - 8mm	9 - 27
AA08 2078	Bushing - 8mm	7 - 13
AA08 2118	Bushing - M6 (B587)	9 - 8
AA14 0678	Feed Roller Shaft	7 - 31
AA14 3440	Stepped Screw - M4	9 - 2
AA14 5812	Clutch Shaft	9 - 21
AB01 1391	Driven Reverse Gear	9 - 7
AB01 1392	Drive Reverse Gear	9 - 16
AB01 4072	Gear - 22Z	7 - 18
AB01 4073	Gear - 22Z	9 - 22
AB01 4074	Gear - 33Z	9 - 20
AF02 0437	Transport Drive Roller	9 - 23
AF02 0438	Transport Driven Roller	9 - 11
AF03 0041	Pick-up Roller (A698)	7 - 26
AF03 0050	Pick-up Roller (B587)	7 - 26
AF03 1041	Paper Feed Roller (A698)	7 - 32
AF03 1064	Paper Feed Roller (B587)	7 - 32
AF03 2041	Separation Roller (A698)	9 - 4
AF03 2050	Separation Roller (B587)	9 - 4
AG07 0004	Magnetic Catch	11 - 8
AG07 0004	Magnetic Catch	3 - 8
AW01 0027	Photosensor - ON2530 CT	13 - 2
AW01 0048	Photo Sensor - Gp2a28n1	7 - 3
AW01 0064	Optical Sensor Ass'y	11 - 9
AW02 0012	Photointerruptor	13 - 4
AW02 0056	Photointerruptor - EE-SX4235A-P1	7 - 4
AW02 0056	Photointerruptor - EE-SX4235A-P1	11 - 12

Part No.	Description	Page and Index No.
AX04 0091	DC Motor - 21.6W	11 - 14
AX06 0203	Main Motor Ass'y	7 - 16
AX20 0149	Magnetic Clutch	7 - 11
AX21 0037	Magnetic Clutch	7 - 17

Part No.	Description	Page and Index No.
0313 0040B	Philips Pan Head Screw - M3x4	9 -109
0313 0250B	Philips Pan Head Screw - M3x25	11 -109
0313 0350B	Philips Pan Head Screw - M3x35	11 -101
0314 0120B	Philips Pan Head Screw - M4x12	3 -107
0314 0200B	Philips Pan Head Screw - M4x20	5 -103
0344 0050F	Philips Truss Head Screw - M4x5	11 -112
0450 4012Z	Tapping Screw - M4x12	3 -108
0451 3006B	Tapping Screw - M3x6	7 -108
0451 3010B	Tapping Screw - M3x10	7 -105
0451 4006B	Tapping Screw - 4x6	9 -105
0451 4006B	Tapping Screw - 4x6	7 -103
0451 4006B	Tapping Screw - 4x6	11 -111
0451 4008B	Philips Tapping Screw - M4x8	11 -105
0451 4008B	Philips Tapping Screw - M4x8	13 -101
0451 4008B	Philips Tapping Screw - M4x8	9 -102
0451 4008B	Philips Tapping Screw - M4x8	7 -111
0451 4008B	Philips Tapping Screw - M4x8	3 -102
0451 4008B	Philips Tapping Screw - M4x8	5 -101
0451 4008H	Tapping Screw - 4x8	3 -101
0451 4016B	Tapping Screw - M4-16	7 -109
0452 4008B	Tapping Screw - M4x8	3 -104
0452 4010B	Tapping Bind Screw - M4x10	11 -116
0452 4012B	Tapping Bind Screw - M4x12	3 -106
0453 3006B	Tapping Screw - M3x6	7 -102
0453 3008B	Bind Tapping Screw - M3x8	11 -106
0453 3010B	Binding Screw	13 -103
0453 4008B	Tapping Bind Screw - M4x8	13 -104
0573 0030E	Hexagon Headless Set Screw - M3x3	9 -108
0573 0040E	Hexagon Headless Set Screw - M3x4	7 -110
0708 0030B	Washer - M3	11 -107
0708 0040B	Washer - M4	5 -107
0720 0020E	Retaining Ring - M2	3 -105
0720 0040B	Retaining Ring - M4	11 -117
0720 0040B	Retaining Ring - M4	7 -107
0720 0040B	Retaining Ring - M4	9 -106

Part No.	Description	Page and Index No.
0720 0050B	Retaining Ring - M5	9 -110
0720 0050B	Retaining Ring - M5	5 -104
0720 0050B	Retaining Ring - M5	11 -114
0720 0060B	Retaining Ring - M6	9 -103
0720 0060B	Retaining Ring - M6	5 -102
0720 0060B	Retaining Ring - M6	7 -106
0742 3808	Ball Bearing - 8x16x5	5 -105
0805 3145	Ball Bearing - 6x12x4mm	9 -107
0805 3270	Ball Bearing - 8x16x5mm	5 -108
0805 3389	Bushing - 8x10x6mm	11 -113
0807 5056	Washer - 8.1mm	11 -115
0950 4006B	Screw - M4X6	13 -108
0951 4016B	Philips Screw With Flat Washer - M4x16	3 -103
0957 4030B	Screw - M4X3	5 -106
1102 6257	Relay Connector - 14P	11 -118
1102 6258	Relay Connector - 15P	11 -119
1105 0199	Clamp	7 -101
1105 0200	Clamp	13 -102
1105 0200	Clamp	7 -104
1105 0200	Clamp	9 -104
1105 0292	Wire Saddle	13 -107
1105 0310	Harness Clamp - LWS-1S	13 -105
1105 0310	Harness Clamp - LWS-1S	11 -110
1105 0328	Harness Clamp - ES-0505	9 -101
1106 0241	Bushing - 6.7mm	13 -106
1204 0192	Microswitch - UL	11 -102
1204 0704	Micro Switch - D2RV-G	11 -108
1204 1148	Microswitch	11 -103
1204 2136	Micro Switch	11 -104

Part No.	Description	Page and Index No.
5215 2621	Snap Ring - M6	7 - 30
5447 2681	Snap Ring	3 - 10
5447 2681	Snap Ring	7 - 29
5447 2681	Snap Ring	9 - 3
5447 2706	Gear - 15T	7 - 28

Part No.	Description	Page and Index No.
----------	-------------	--------------------